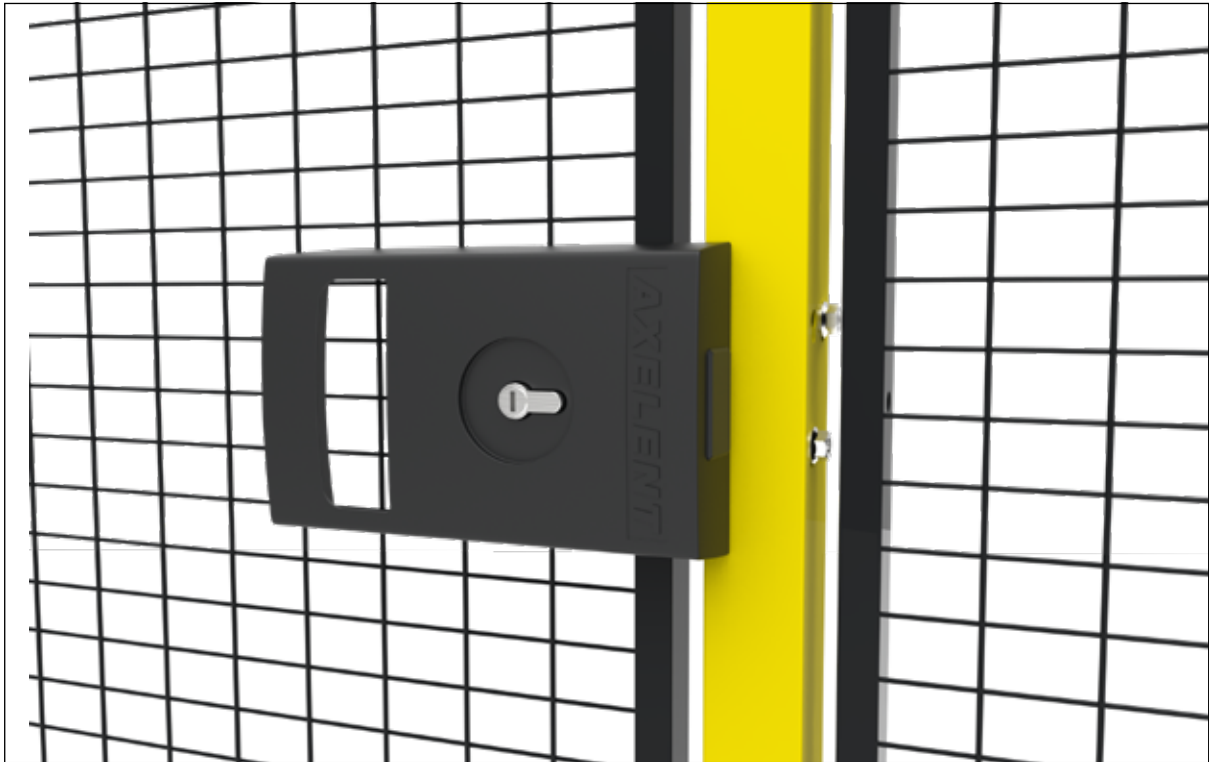


Axelent Product information

» Axelent X-It



Axelent X-It cylinder lock

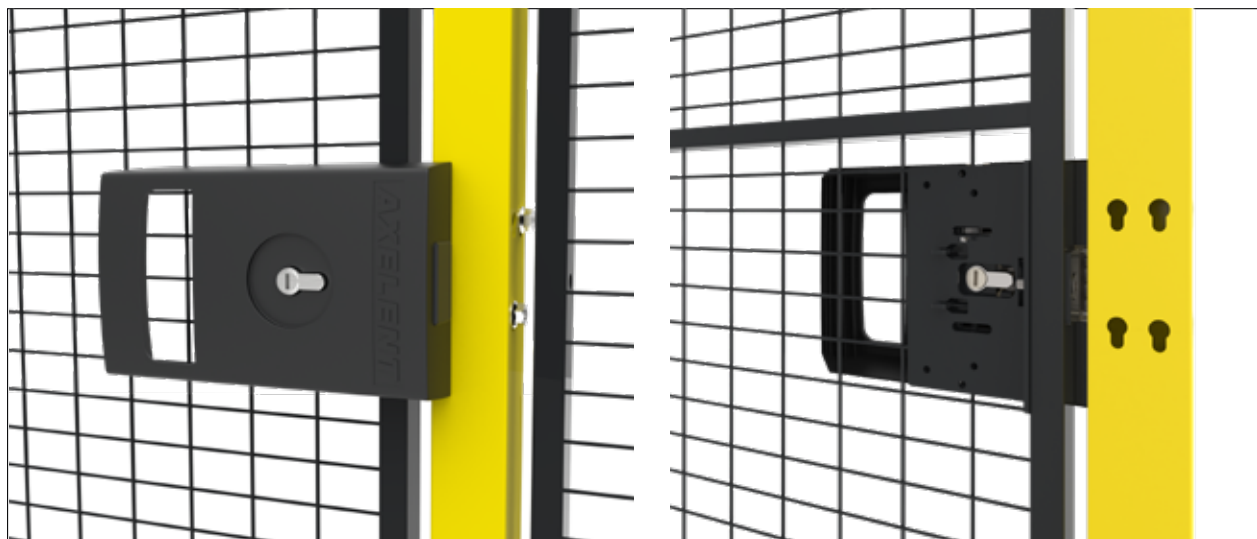
X-It cylinder lock is patented and available in several versions. Thanks to the unique design, no additional lock housing is required; just add a standard profile cylinder such as Euro. The lock is robust with a metal cover to withstand tough conditions and is tested and approved to EN 12209:2016.

The Lock is primarily designed for our modular mesh panel systems for machine guarding, industry and warehouses. The lock can also be used for similar third-party products/systems on the market. Assembly is easy; it is available for both hinge- and sliding doors in right and left versions.

- Available in several versions
- Robust design
- Unique locking function
- Patented product
- Convenient
- Flexible, fits both hinge and sliding doors
- Ordered in right or left execution
- Simple assembly
- Certified product
- Tested and approved to EN 12209:2016
- Possibility to prevent unintended closing during service and maintenance by use of a padlock
- Additional bail handle for use from inside is optionally available
- Supplied in a specially designed box

Axellent Product information

» Axellent X-It cylinder lock



X-It Cylinder lock

Art.no	Description
XIT-L01-101	X-It Cylinder lock, hinge door, LH
XIT-L01-301	X-It Cylinder lock, sliding door, left
XIT-L01-401	X-It Cylinder lock, sliding door with center lock, LH
XIT-R01-101	X-It Cylinder lock, hinge door, RH
XIT-R01-301	X-It Cylinder lock, sliding door, RH
XIT-R01-401	X-It Cylinder lock, sliding door with center lock, RH



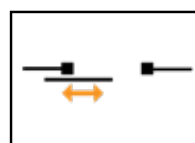
Hinge door, right



Hinge door, left



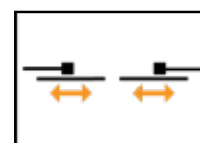
Sliding door, right



Sliding door, left



Double hinge door
left/right



Sliding door with
centrelock, left/right

Axellent Product information

» Axellent X-It cylinder lock with escape release function



In some environments an escape release function may be needed to allow people to leave a locked area from the inside. This may be required if hazards may inadvertently come up or if people could be locked in unintentionally, e. g., in an automatic warehouse. When a lock of this type is installed in the door, it will always be possible to open the door from the inside without a key, even if the lock is in “locked” position. The function upon closing of the door is “slam & shut”; that is, the lock will change to the locked position when you slam the door, even if the key is not in the cylinder of the lock.

Can be used as a door in rail dependent storage and retrieval equipment to EN 528, section 5.9.2.2 b) (4.10.4.2 b) in the 2019 prEN version).

May also be used as a mechanical guard locking device with escape release function to EN ISO 14119 3.27 and 5.7.5.2.

X-It Slam and Shut

Art.no	Description
XIT-L14-101	X-It “Slam Shut”, esc.rel.function, hinge door, LH
XIT-L14-301	X-It “Slam Shut”, esc.rel.function, sliding door, LH
XIT-L14-401	X-It “Slam Shut”, esc.rel.function, sliding door center lock, LH,
XIT-R14-101	X-It “Slam Shut”, escape release function, hinge door, RH
XIT-R14-301	X-It “Slam Shut”, escape release function, sliding door, RH
XIT-R14-401	X-It “Slam Shut”, esc.rel.function, sliding door center lock, RH



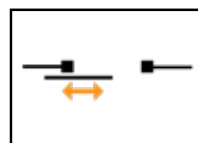
Hinge door, right



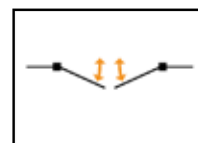
Hinge door, left



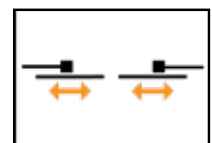
Sliding door, right



Sliding door, left



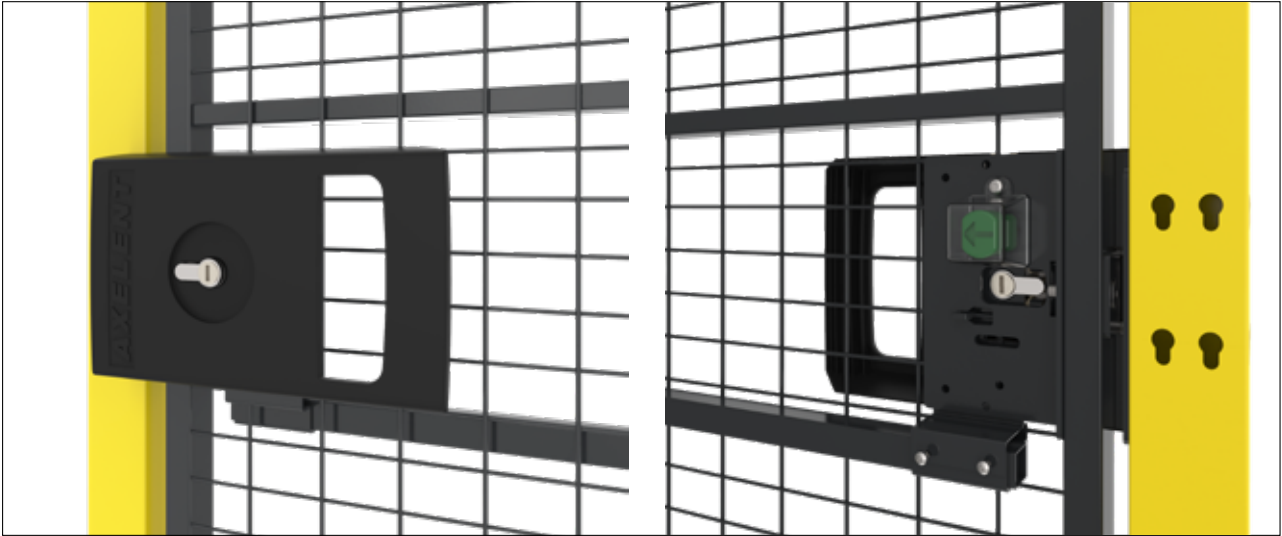
Double hinge door
left/right



Sliding door with
centrelock, left/right

Axelent Product information

» Axelent X-It Electric



Can be used in various places within warehouse and production environments, preferable in relation to already installed access systems.

In case of power failure the lock has an escape release function on the inside.

- Light to indicate open or locked
- Cylinder lock with mechanical key that overrides the electronic function
- Compatible with most electric access lock systems such as RFID, card readers, Pin code units etc.
- Storage temperature: -25 to +70 °C according to IEC 60068-2-14
- Operating temperature: -10 to +70 °C according to IEC 60068-2-14
- Housing IP rating: IP41
- Supply voltage: 12-24 VDC +/-10 % (regulated)

X-It Electric

Art.no

Description

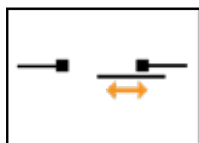
XIT-L09-101	X-It Electric, esc.rel.function, hinge door, LH
XIT-L09-301	X-It Electric, esc.rel.function, sliding door, LH
XIT-L09-401	X-It "Slam Shut", esc.rel.function, sliding door center lock, LH
XIT-R09-101	X-It Electric, esc.rel.function, hinge door, RH
XIT-R09-301	X-It Electric, esc.rel.function, sliding door, RH
XIT-R09-401	X-It Electric, esc.rel.function, sliding door center lock, RH



Hinge door, right



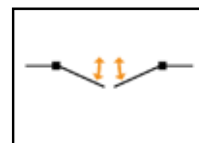
Hinge door, left



Sliding door, right



Sliding door, left



Double hinge door
left/right

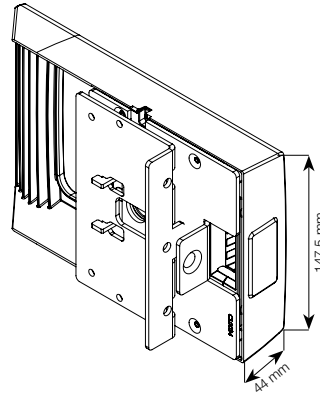
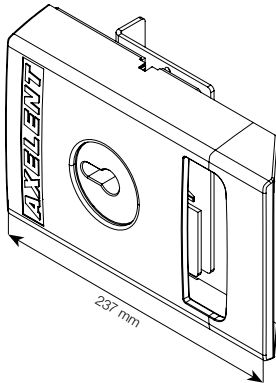


Sliding door with
centrelock, left/right

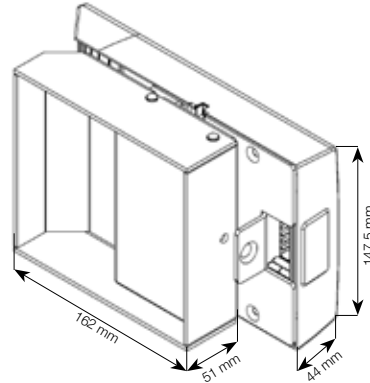
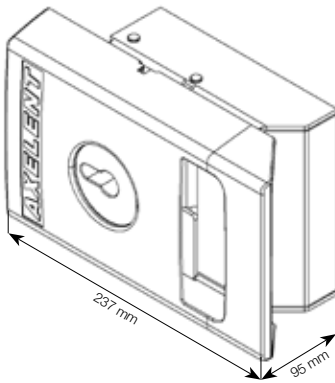
Axellent Product information

» Axellent X-It lock with cylinder

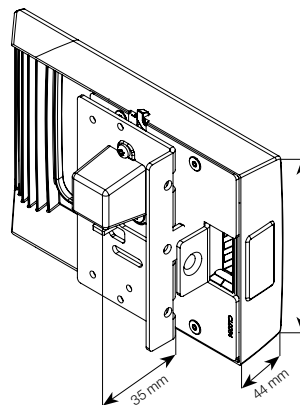
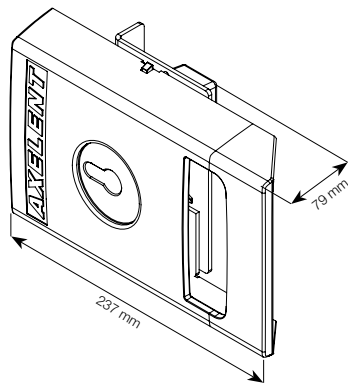
Axellent X-It Cylinder



Axellent X-It Cylinder with escape release function



Axellent X-It Electric



Axellent X-It Eurocylinder Whole (Both sides) / Half (One side)

