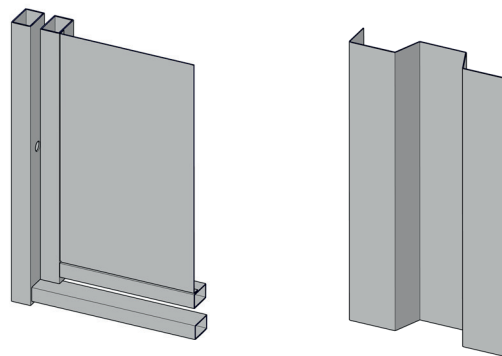


Product information

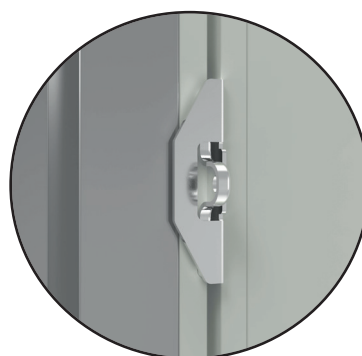
» Storeroom wall type FP



STOREROOM WALL FP · NO SCREENING

A storeroom can reveal a lot. Or nothing at all. At Axelent we factor in all your storage needs. Our FP system featuring covered walls is designed for areas where there are high demands on security and stability without screening.

When you put high demands on security and stability without screening



Did you know that...

- With extra robust tubular construction in the doors.
- Can be combined with F, FK and FK+.
- Can be cut to suit existing construction.
- We have the ability to build topsection/roof.
- The walls are painted in sendzimir, and the doors in RAL 9018.
- Accessories, see homepage.

Storeroom wall F, FK and FK+ is available as an option, if you wish, contact customer support for update offer! All our systems can be combined!

PRODUCT DESCRIPTION – FP

Material & design Dimensions (mm)

Steel wall, profiled sheet

Depth of profiling 30

Sheet thickness 0.7

Tubular steel frame, door

Vertical tubes 30x20

Horizontal tubes 25x15

Door opening dimensions

50-42009000 1960x860

* Alternative locking solution

(1) = Right/left

(2) = Right + cover

(3) = Left + cover

(4) = Fitted for Assa 310/410