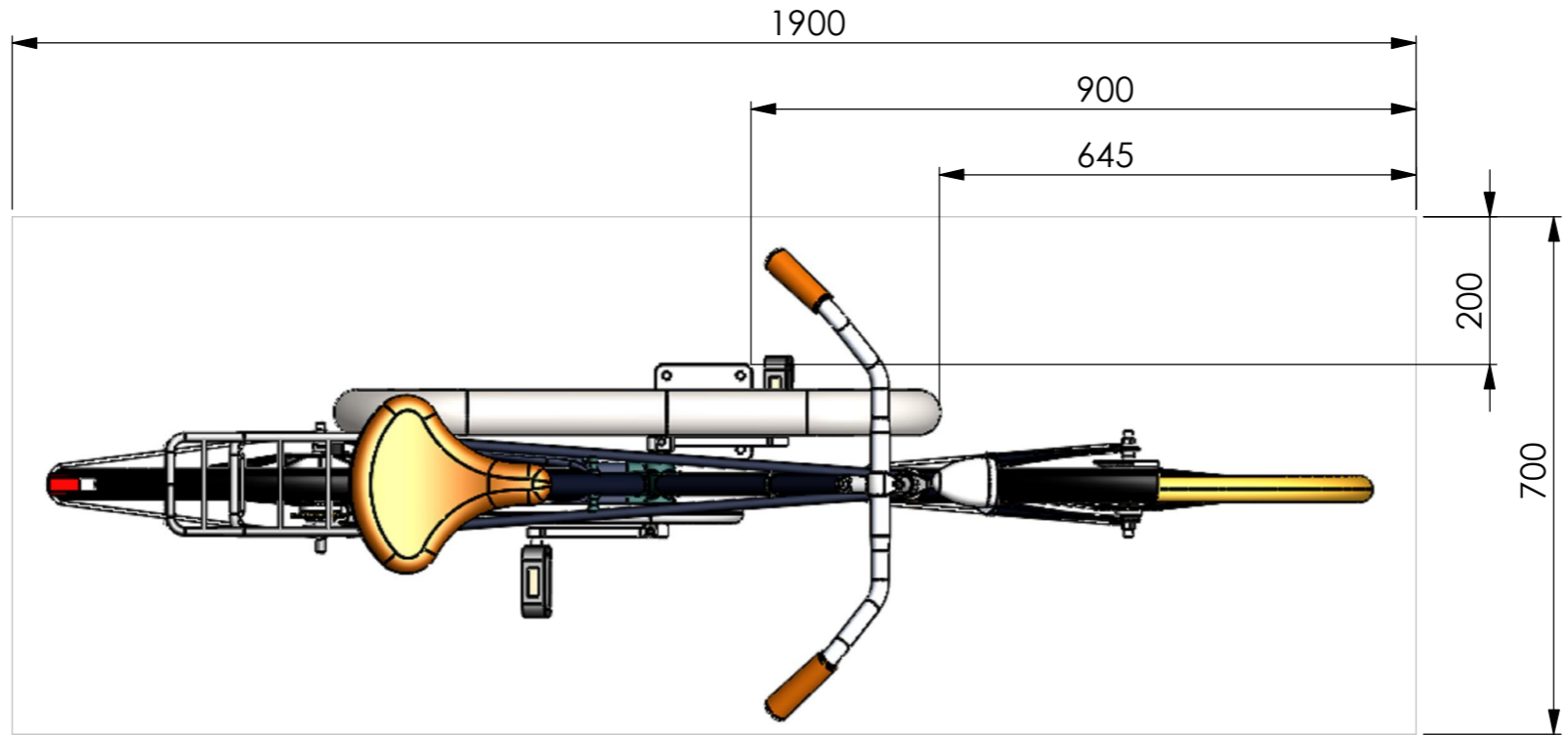


UNLESS OTHERWISE SPECIFIED: DIMENSIONS ARE IN MILLIMETERS				FINISH:		DEBURR AND BREAK SHARP EDGES		DO NOT SCALE DRAWING		REVISION	
SURFACE FINISH:											
TOLERANCES:											
LINEAR:											
ANGULAR:											
								TITLE:			
DRAWN				NAME		SIGNATURE		DATE			
CHK'D											
APPVD											
MFG											
Q.A								MATERIAL:		DWG NO.	
										171199 Journey 2	
										A3	
								WEIGHT: 6713.10		SCALE: 1:5	
										SHEET 1 OF 3	

# 171199 Journey 2

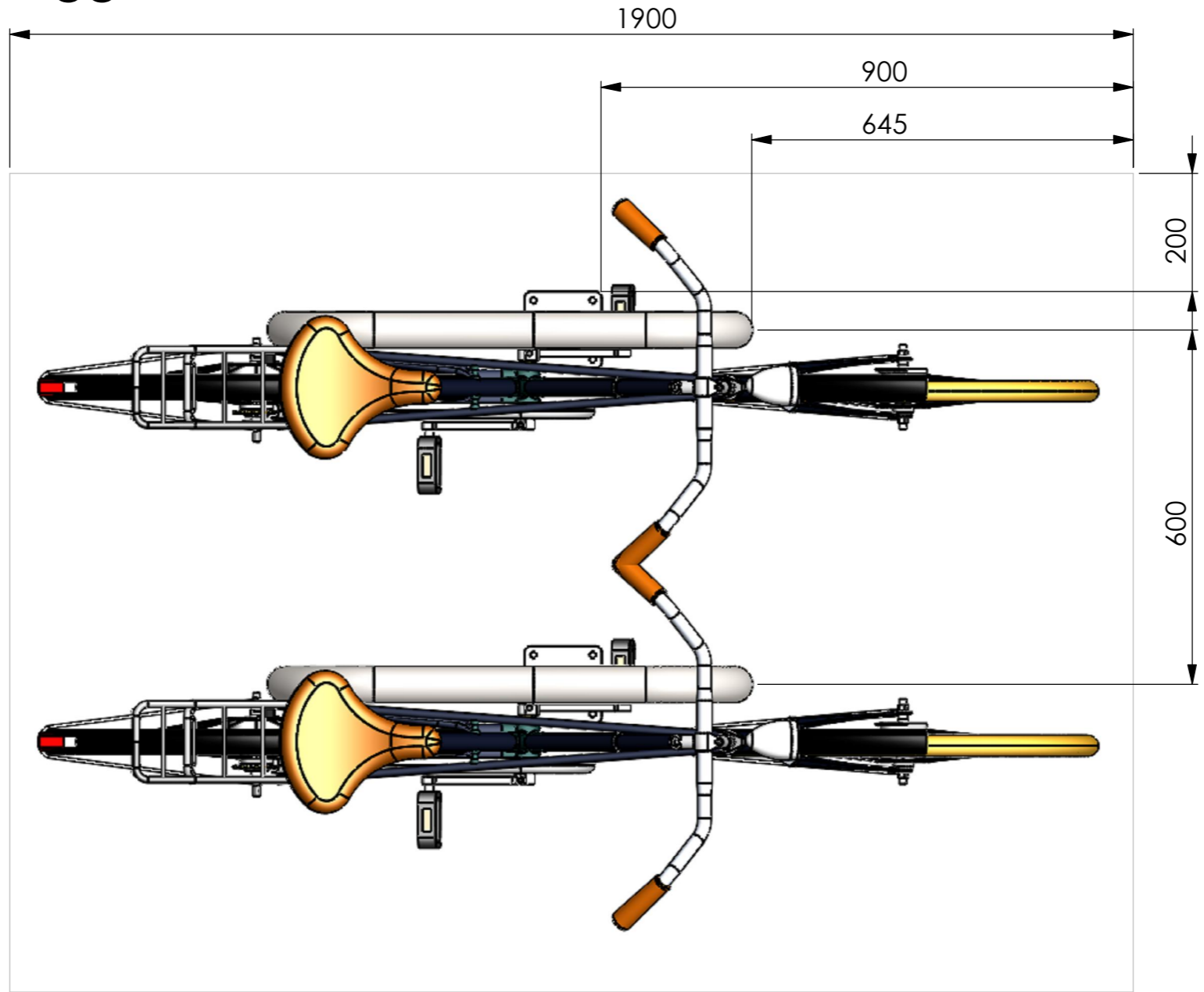
## Avstånd till vägg



UNLESS OTHERWISE SPECIFIED: DIMENSIONS ARE IN MILLIMETERS				FINISH:		DEBURR AND BREAK SHARP EDGES		DO NOT SCALE DRAWING		REVISION	
SURFACE FINISH:											
TOLERANCES:											
LINEAR:											
ANGULAR:											
	NAME	SIGNATURE	DATE					TITLE:			
DRAWN											
CHK'D											
APPVD											
MFG											
Q.A						MATERIAL:		DWG NO.		A3	
								171199 Journey 2			
						WEIGHT: 6713.10		SCALE:1:5		SHEET 2 OF 3	

# 171199 Journey 2

## Avstånd till vägg



UNLESS OTHERWISE SPECIFIED: DIMENSIONS ARE IN MILLIMETERS				FINISH:		DEBURR AND BREAK SHARP EDGES		DO NOT SCALE DRAWING		REVISION	
SURFACE FINISH:											
TOLERANCES:											
LINEAR:											
ANGULAR:											
	NAME	SIGNATURE	DATE					TITLE:			
DRAWN											
CHK'D											
APPVD											
MFG											
Q.A						MATERIAL:		DWG NO.		A3	
								171199 Journey 2			
						WEIGHT: 6713.10		SCALE:1:5		SHEET 3 OF 3	